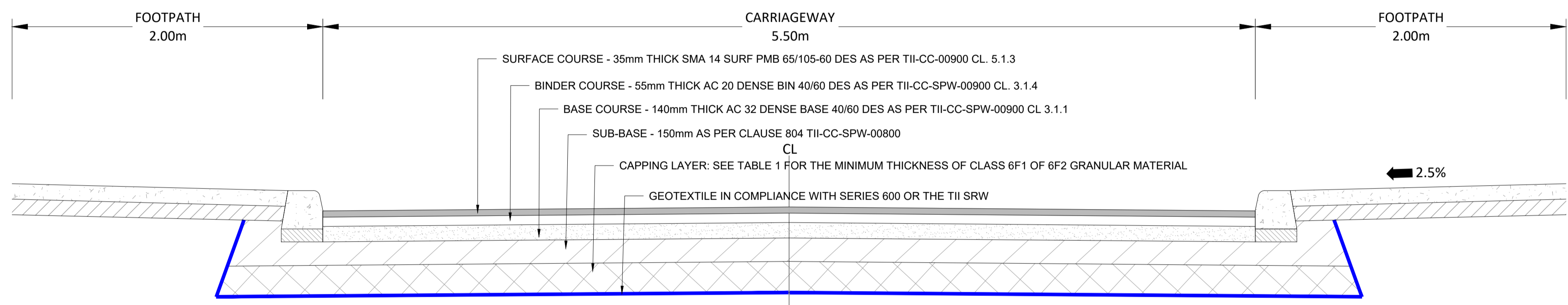


CROSS SECTION D-D
SCALE 1:25

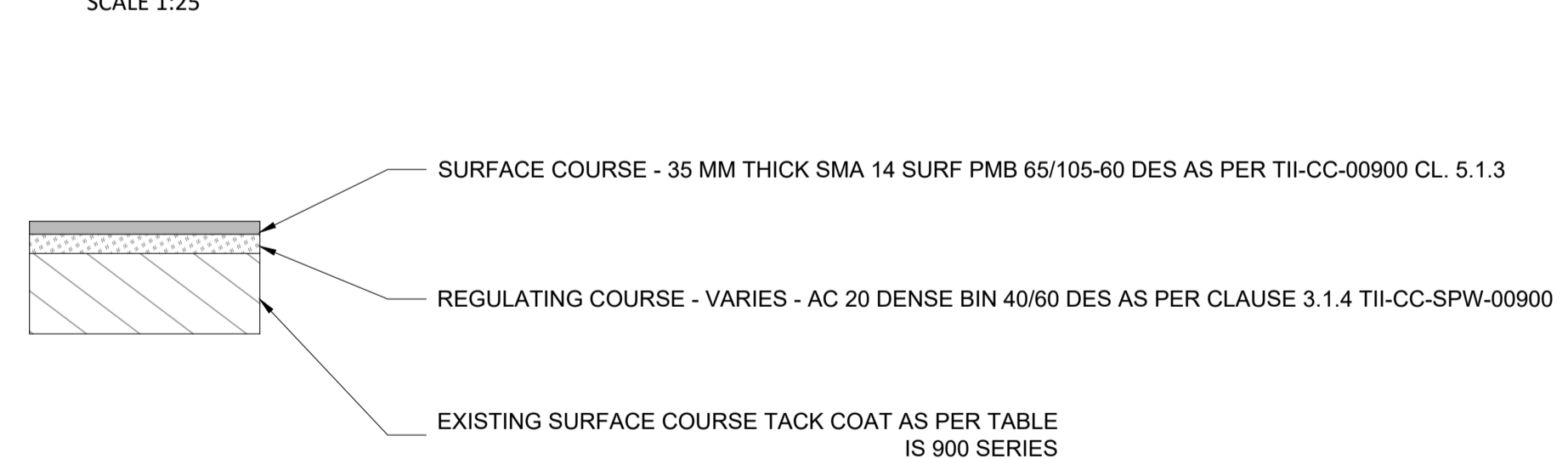


KEY PLAN
SCALE: NTS



CROSS SECTION C-C
SCALE 1:25

ROAD OVERLAY BUILD UP

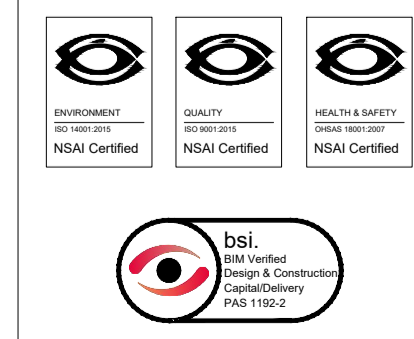


- FOR SETTING OUT REFER TO ARCHITECT'S DRAWINGS.
- THIS DRAWING TO BE READ IN CONJUNCTION WITH ALL OTHER ARCHITECTURAL AND ENGINEERING DRAWINGS AND ALL OTHER RELEVANT DRAWINGS AND SPECIFICATIONS.
- DO NOT SCALE THIS DRAWING. USE FIGURED DIMENSIONS ONLY.
- NO PART OF THIS DOCUMENT MAY BE REPRODUCED OR TRANSMITTED IN ANY FORM OR STORED IN ANY RETRIEVAL SYSTEM OF ANY NATURE WITHOUT THE WRITTEN PERMISSION OF O'CONNOR SUTTON CRONIN AS COPYRIGHT HOLDER EXCEPT AS AGREED FOR USE ON THE PROJECT FOR WHICH THE DOCUMENT WAS ORIGINALLY ISSUED.

Rev No.	Date	Revision Note	Drn by	Chkd by
P01	15/10/21	SUITABLE FOR INFORMATION	RM	MK
P02	01/12/21	SUITABLE FOR INFORMATION	RM	SMG
P03	07/12/21	SUITABLE FOR STAGE APPROVAL	RM	SMG
P04	11/08/22	FOR PLANNING	RM	WM

Rev No.	Date	Revision Note	Drn by	Chkd by

PLANNING DRAWING.
NOT FOR CONSTRUCTION.
ALL LEVELS GIVEN ARE
RELATIVE TO ORDNANCE DATUM.
THIS DRAWING HAS BEEN ISSUED FOR INFORMATION
PURPOSES ONLY AND MUST NOT BE USED
FOR CONSTRUCTION UNDER ANY CIRCUMSTANCES



Head Office,
9 Prussia Street,
Dublin 7.
D07 KT57

TEL +353 (0)1 8682000

e: contactus@ocsc.ie
w: www.ocsc.ie

Dublin | London | Belfast | Galway | Cork | Birmingham



Client: SKY CASTLE LTD
Project: MOYGADDY CASTLE SHD

Title: ROAD CROSS SECTIONS
SHEET 3 OF 3

Code	Originator	Zone	Level	Type	Role	Number	Status	Revision
S665	OCSC	1C	MH	DR	C	0702	S4	P04

Date: OCT '21 Scale: SHWN @ A1 Drn by: RM Chkd by: MK Aprvd by: MK